



#### **Brief introduction :**

Widely used for water supply pipe network of high-rise buildings, a certain medium of a corrosive and restricted installation space as well as sewer network.

#### **Features:**

- The valve seat is designed to multi term narrow bands and vulcanized on valve body by complete seal with no leak.
- Structure of butterfly dual plate check valve is safe and reliable with high external force and low trash rack loss.
- Such kind of valve structure installed conveniently with short length and good rigidity.

#### **Main part & material**

Body: gray cast iron, carbon steel

Disc: stainless steel

Spring: Stainless steel

Seat: Stainless steel, NBR

Stem: Stainless steel

#### **Technical Specification**

- Nominal diameter : 50 ~ 60 0 mm

- Nominal pressure : 1.0~2.5 Mpa

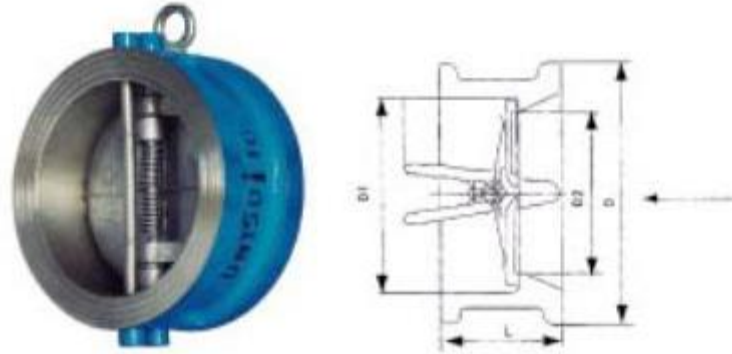
-Medium: freshwater, sewage, seawater, salt, alkali, acid, leechdom, steam, oil, food, etc.

-Work temperature: 0~80 °C

**PRODUCT - CHECK VALVE**

**Dual Plate Check Valve**

**Main external and connection dimension**



| DN          | 50  | 65  | 80  | 100   | 125   | 150 | 200 | 250 | 300 | 350 | 400 | 450 | 500 | 600 |
|-------------|-----|-----|-----|-------|-------|-----|-----|-----|-----|-----|-----|-----|-----|-----|
| Hard seal   | 60  | 67  | 73  | 73    | 83    | 98  | 127 | 146 | 181 | 184 | 198 | 203 | 219 | 222 |
| rubber seal | 43  | 46  | 64  | 64    | 70    | 76  | 89  | 114 | 114 | 127 | 140 | 152 | 152 | 178 |
| D1          | 65  | 78  | 91  | 117   | 114   | 171 | 222 | 276 | 327 | 377 | 426 | 475 | 520 | 620 |
| D2          | 48  | 57  | 70  | 91    | 113   | 135 | 176 | 222 | 270 | 320 | 365 | 420 | 475 | 570 |
| 1.0Mpa      | 105 | 124 | 137 | 162.5 | 192.5 | 218 | 273 | 328 | 378 | 438 | 482 | 532 | 590 | 690 |
| 1.6/2.5MPa  | 105 | 124 | 137 | 162.5 | 192.5 | 218 | 273 | 329 | 384 | 444 | 482 | 550 | 590 | 690 |